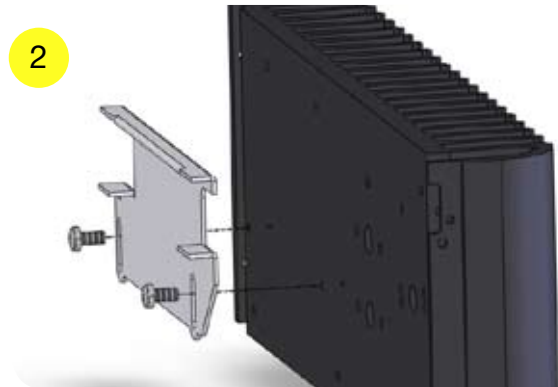


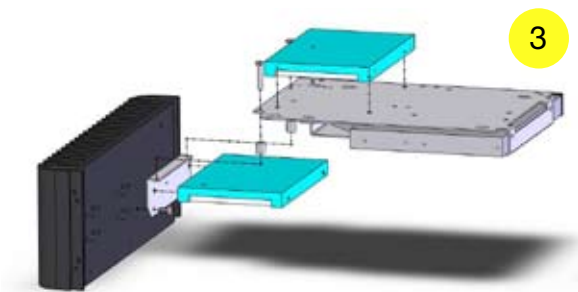
HFX[®] micro M2 - Installation Guide



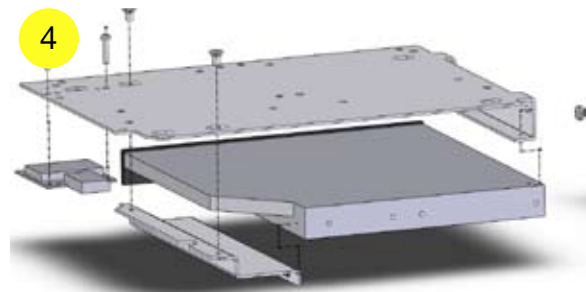
Please open first the 4 screws of the backpanel, then you can lift up the lid. Remove the inner cage.



You can adjust the height and position of the inner cage with mounting this part of the inner cage.



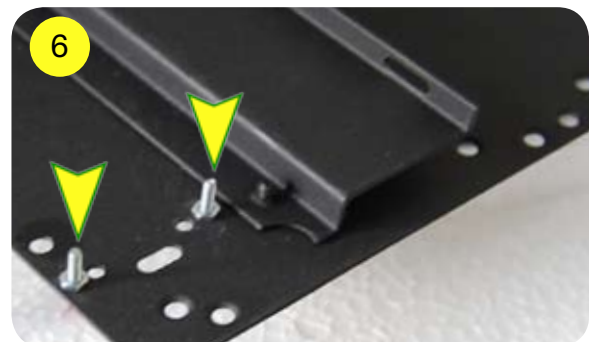
You can mount one hdd below the cage and one hdd on top of the cage.



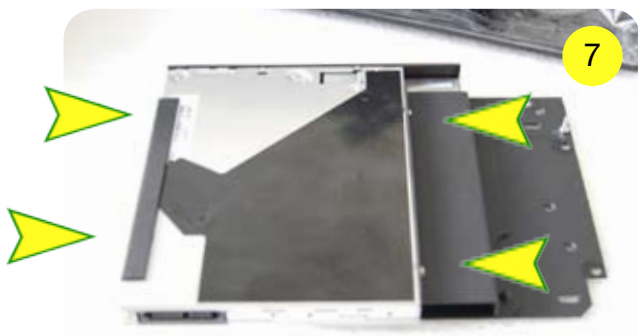
The DVD or BD drive will be mounted inside the inner cage.



and attach the HDD to left part of the inner cage with 2 screws (M3).



Mount the 2 screws for the card reader and untighten the 4 screws of the mounting sheet for the DVD.



Push the slim slot-in optical drive into the cage. Fix the DVD from the side with 4 screws after positioning the DVD carefully against the front.



Take the cardreader out of its cage and use two small threads to fix it to the inner cage. Plug in the USB cable to the cardreader.



To position the height of the DVD, please unthighten the screws of the inner cage along the heatsinks. Test if the CD fits perfectly into the DVD drive and fix the side positions permanently.

USB Eject Modul

9

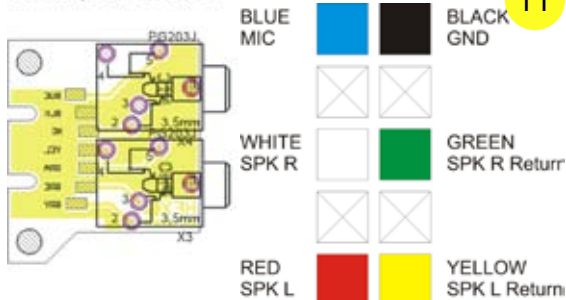
To eject the DVD with the push button on the backpanel of the case, please follow these steps:

- 1) connect the USB modul to the push button
- 2) connect the USB modul to an intern USB
- 3) install the Windows software, download from www.hfx.at



Connect the front LEDs with the motherboard:
 red front LED (yellow + / red -)
 green front LED (black + / white -)

Phono, bottom side



11

The "Sens" connector is not needed, but the automatic front connector detection has to be deactivated in Windows.



12

You can mount the backpanel first by letting a distance for closing the lid. After closing the lid, please tighten the 4 screws of the backpanel.